

4

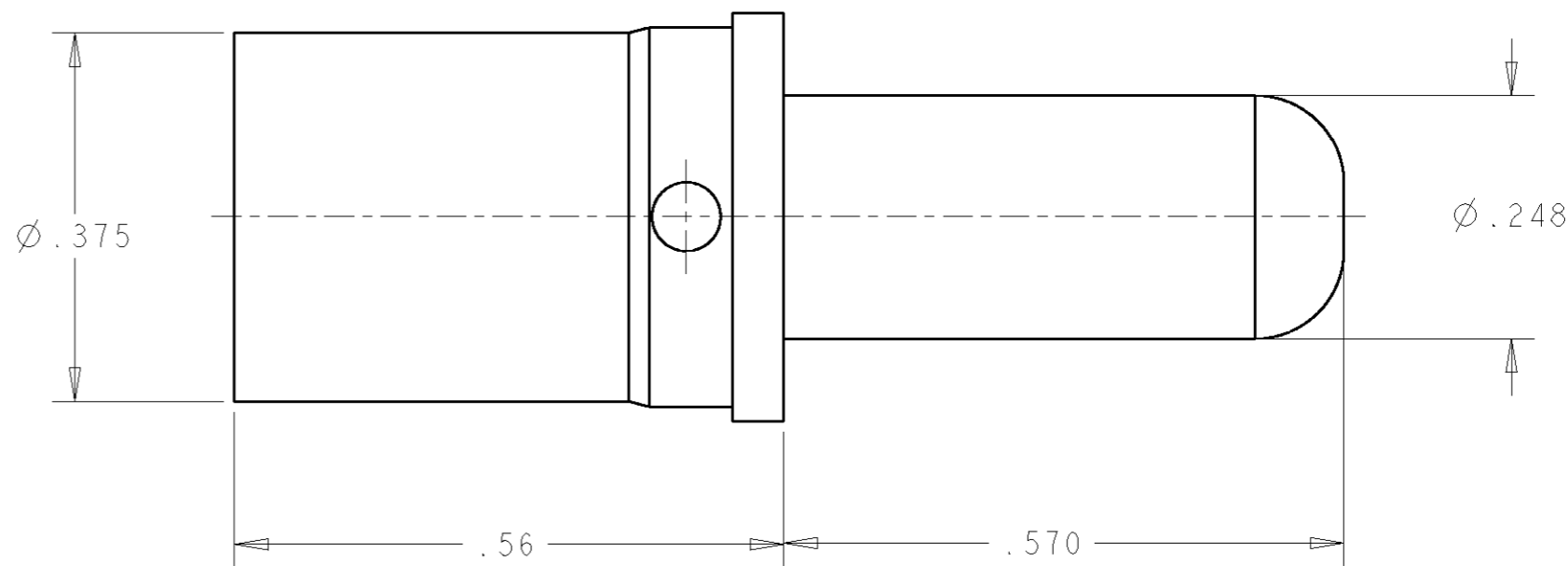
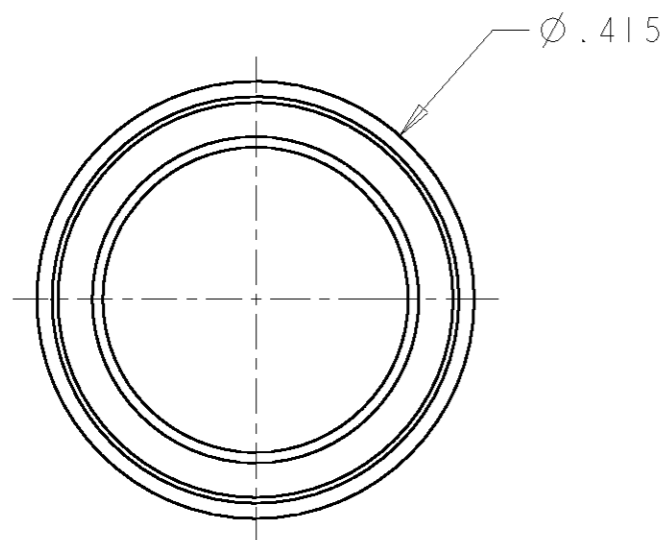
3

2

1

THIS DRAWING IS UNPUBLISHED. RELEASED FOR PUBLICATION 20
 © COPYRIGHT 20 BY TYCO ELECTRONICS CORPORATION. ALL RIGHTS RESERVED.

LOC	DIST	REVISIONS			
P	LTR	DESCRIPTION	DATE	DWN	APVD
GP	00	A	RELEASED	09MAY2007	RG DO



1. PART NUMBER CHANGES AND OR DESIGN CHANGES AFFECTING THE INTERCHANGEABILITY REQUIRE PRIOR TYCO APPROVAL AND AUTHORIZATION BY REVISION TO THIS DRAWING.

2. MATERIAL;
COPPER ALLOY

3. FINISH:
SILVER PLATE .000200 MIN THK. OVER NICKEL .000040 MIN. THK.

4. ITEMS PROVIDED TO THIS SPECIFICATION TO BE PERMANENTLY IDENTIFIED ON THE CONTAINER WITH THE FOLLOWING IDENTIFIER:

AS SHOWN	1766232-1
DESCRIPTION	PART NUMBER

TYCO PART NO.
XXXXXXX-X

DATE CODE (e.g. 0216)
YEAR WEEK
XXXX

<small>THIS DRAWING IS A CONTROLLED DOCUMENT FOR TYCO ELECTRONICS CORPORATION IT IS SUBJECT TO CHANGE AND THE CONTROLLING ENGINEERING ORGANIZATION SHOULD BE CONTACTED FOR THE LATEST REVISION.</small>	
DIMENSIONS: INCHES	TOLERANCES UNLESS OTHERWISE SPECIFIED:
	0 PLC ±-
	1 PLC ±-
	2 PLC ±.02
	3 PLC ±.010
	4 PLC ±-
	ANGLES ±-
MATERIAL -	FINISH -

DWN	09MAY2007
CHK	R.GRZYBOWSKI
APVD	D.ORRIS 09MAY2007
APVD	S.FLICKINGER 09MAY2007
PRODUCT SPEC	-
APPLICATION SPEC	-
WEIGHT	-
CUSTOMER DRAWING	

Tyco Electronics Harrisburg, PA 17105-3608	
NAME PIN CONTACT, .25 DIA. WITH No. 4 CRIMP BARREL	
SIZE	CAGE CODE
A3	00779
DRAWING NO	RESTRICTED TO
C-1766232	-
SCALE	SHEET OF REV
6:1	1 OF 1 A

ELCON CONTACTS